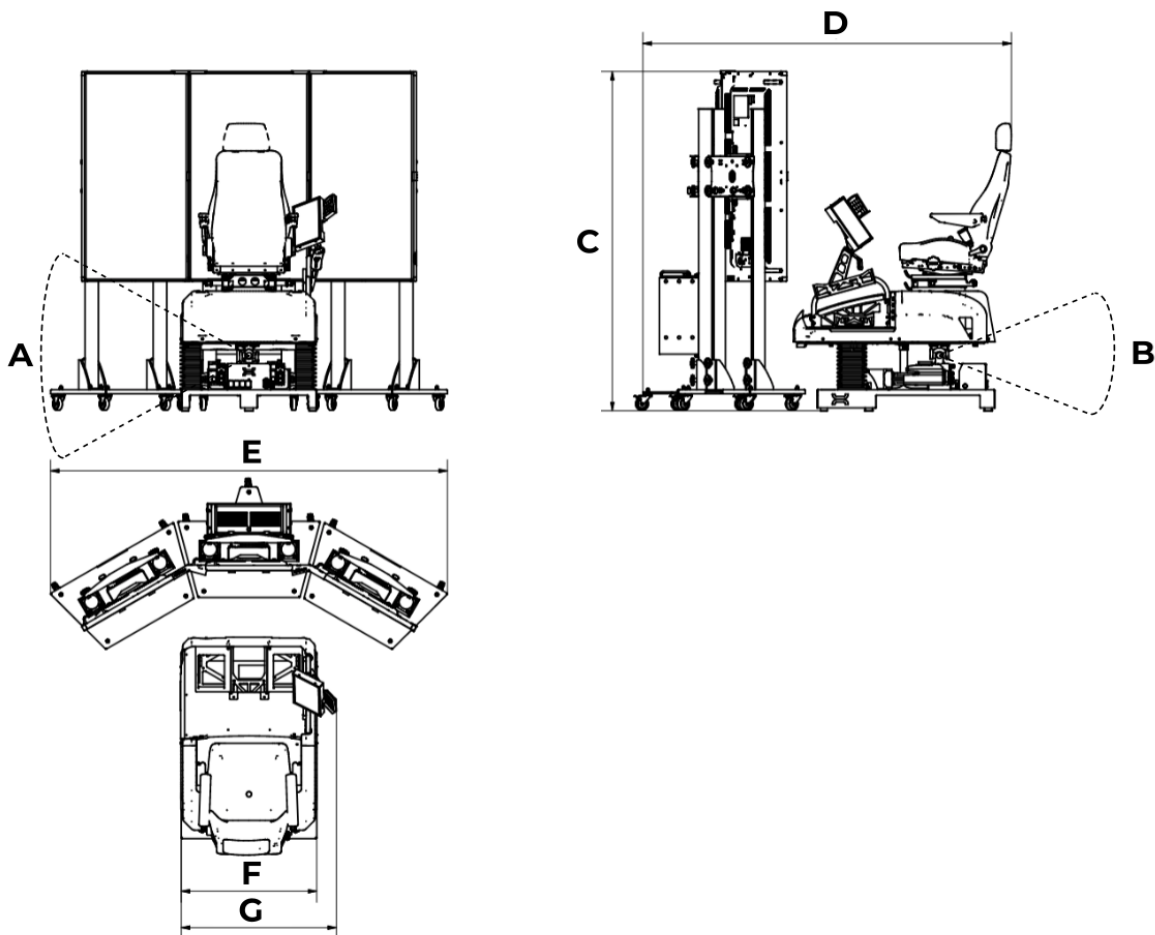


KCS 600 Simulator dimensions and weights

Base simulator dimensions

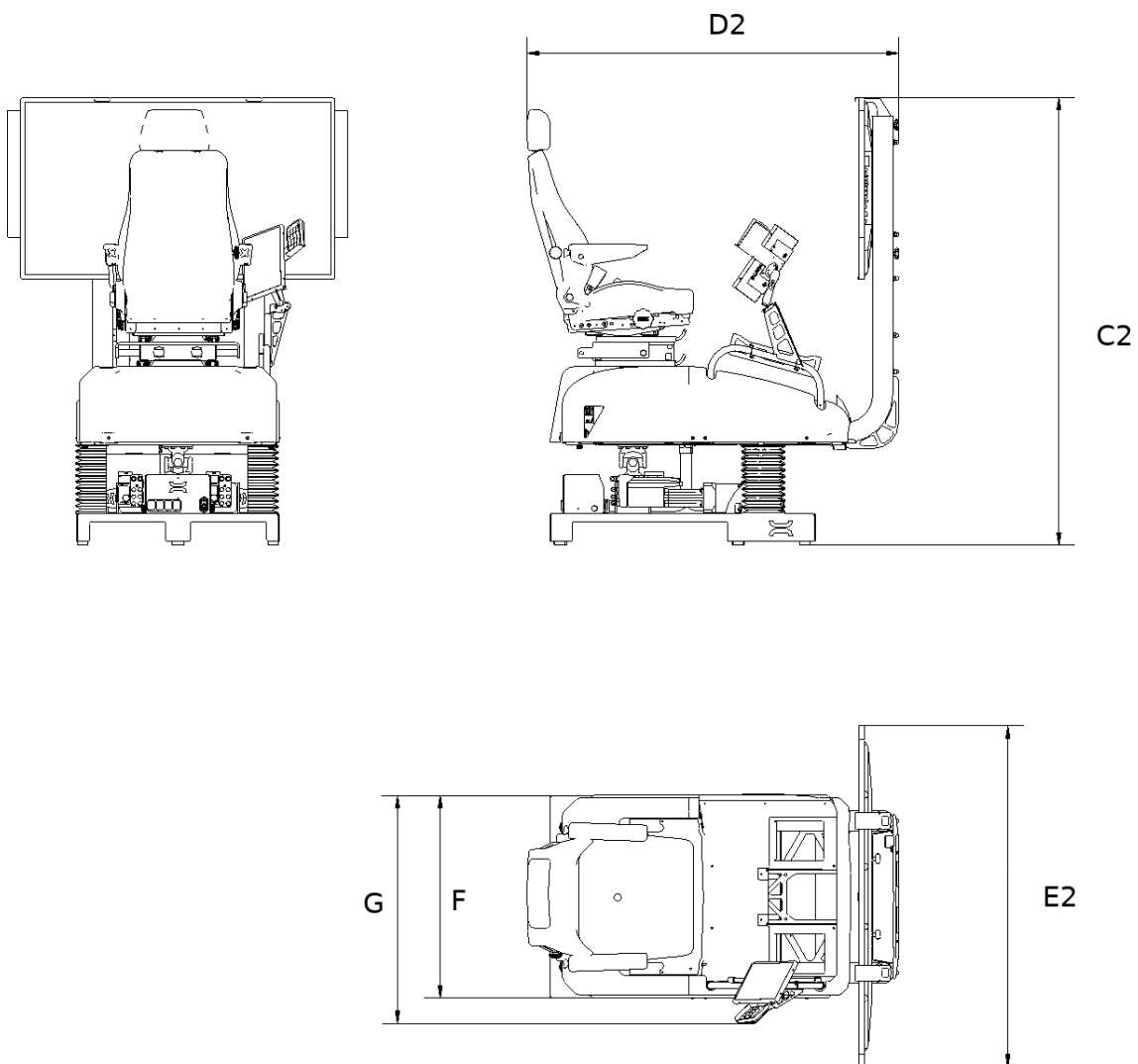
A	Maximum Roll Angle: Maximum Roll Velocity:	$\pm 23^\circ$ 46°/s (115VAC operation)
B	Maximum Pitch Angle: Maximum Pitch Velocity:	$\pm 15^\circ$ 30°/s (115VAC operation)
F	Width (base)	800 mm
G	Width (assembled operator unit)	916 mm



Simulator dimensions, three screen variant, portrait

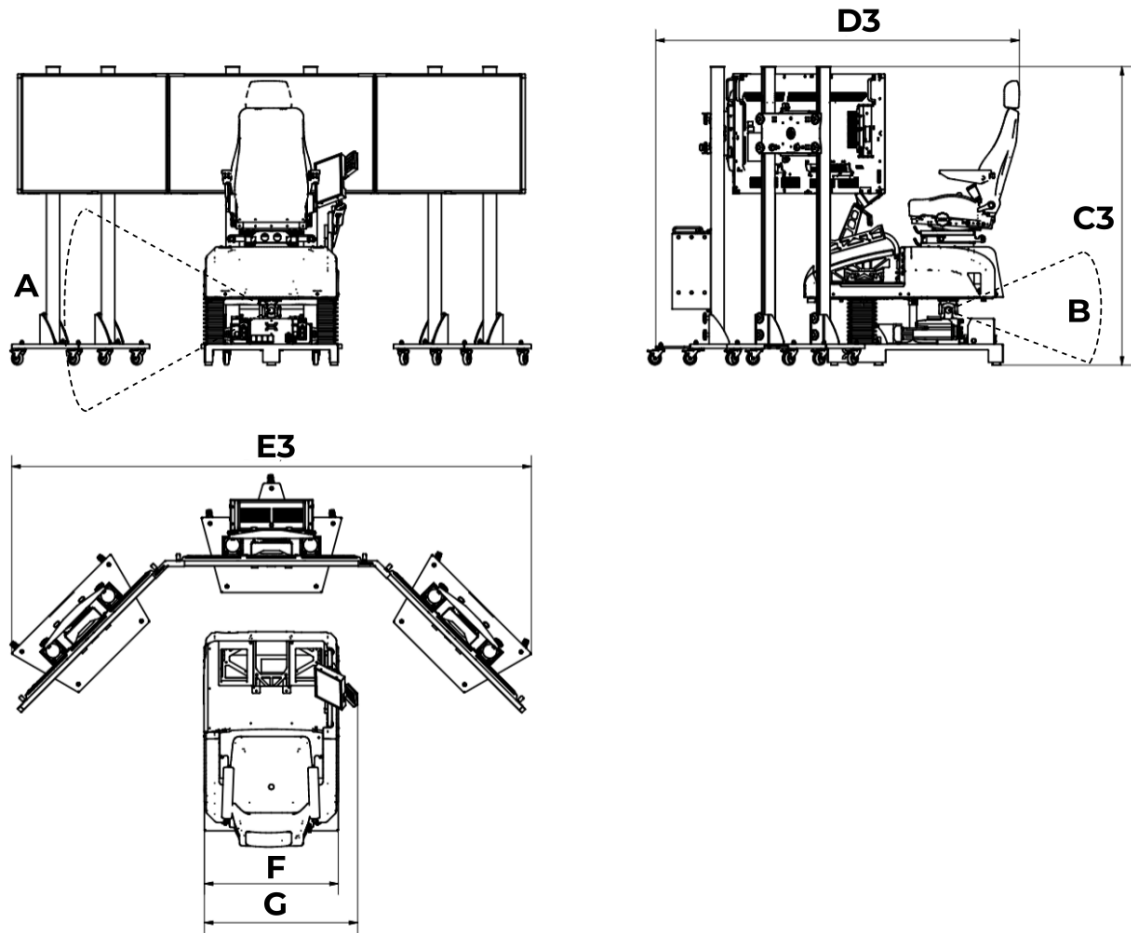
C	Height	2005 mm
D	Length	2175 mm
E	Width (screen stand)	2342 mm

Simulator dimensions, single screen variant, landscape



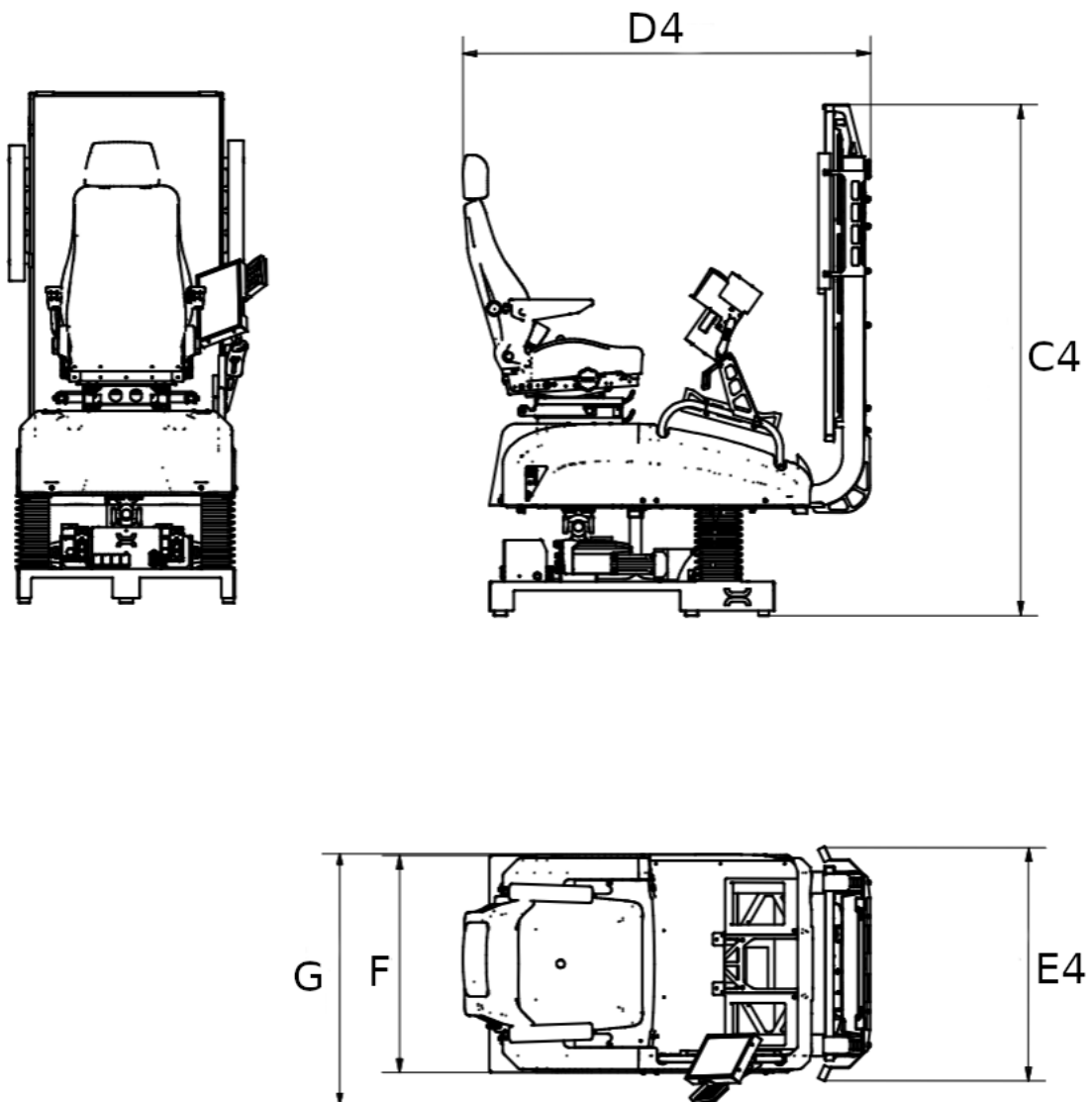
C2	Height	1767 mm
D2	Length	1473 mm
E2	Width (screen)	1348 mm

Simulator dimensions, three screen variant, landscape



C3	Height	1784 mm
D3	Length	2173 mm
E3	Width (screen stand)	3105 mm

Simulator dimensions, single screen variant, portrait



C4	Height	1883 mm
D4	Length	1500 mm
E4	Width (screen)	860 mm

KCS 600 simulator weight

Base simulator weight, three screen variant (no pods)	210 kg
Base simulator weight, single screen variant (no pods)	256 kg
Three screen stand (monitors mounted)	208 kg

KCS 600 Pod kit weights

Wheel Loader 600 Kit weights

Left pod	28 kg
Right pod	28 kg
Steering wheel assembly	40 kg
Kit total	96 kg

Rigid Dump Truck 600 Kit weight

1. Left pod	10 kg
2. Right pod	14 kg
3. Center pod	40 kg
Kit total	64 kg

Wheeled Excavator 600 kit weight

Left pod	17 kg
Right pod	13 kg
Center pod	27 kg
Kit total	57 kg